

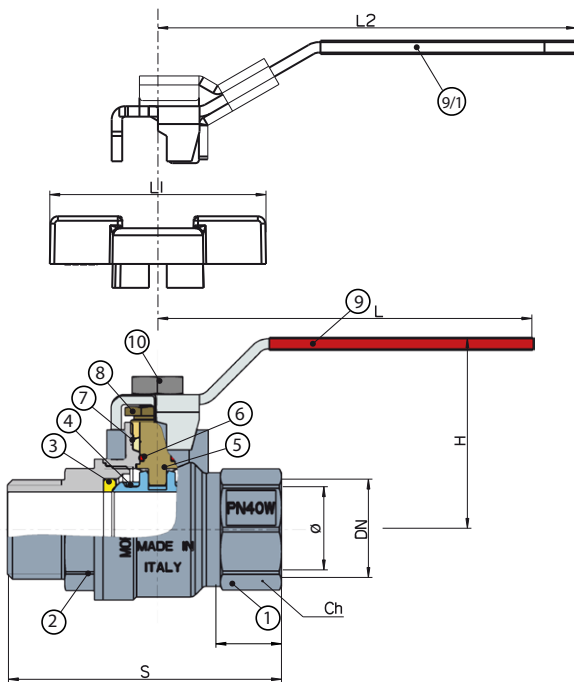
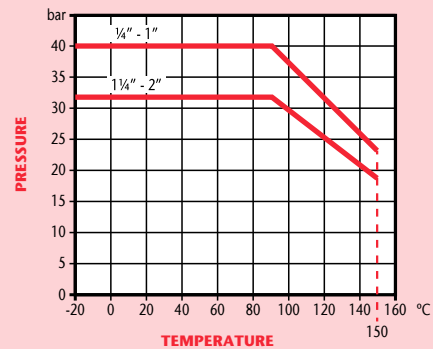
WRAS
APPROVED
PRODUCT

PN40 Brass Ball Valve

Features

- Screwed BSP Parallel M/F Ends
- PTFE Seats & Seals
- Anti-Blow Out Stem
- Full Bore
- Locking Lever & Tee Handle Options Available
- WRAS Approved

Pressure / Temperature



Technical Data

| | | |
|---------------------|-----------------|--------|
| Max Pressure | 1/4"-1" | 40 Bar |
| | 1/4"-2" | 32 Bar |
| Working Temperature | -20°C to +150°C | |

| DN | 1/4" | 3/8" | 1/2" | 3/4" | 1" | 1 1/4" | 1 1/2" | 2" |
|-----|------|------|------|------|------|--------|--------|------|
| Ø | 10 | 10 | 15 | 20 | 25 | 32 | 40 | 50 |
| F | 10 | 12 | 15 | 16 | 19 | 20.5 | 21.5 | 24.5 |
| S | 42 | 54 | 70 | 80 | 92 | 102 | 117 | 137 |
| H | 41 | 41 | 54 | 58 | 66 | 71 | 80 | 88 |
| L | 80 | 80 | 90 | 90 | 125 | 125 | 140 | 140 |
| L1 | 52 | 52 | 62 | 62 | 72 | | | |
| L2 | 95 | 95 | 120 | 120 | 150 | 150 | 160 | 160 |
| Ch | 21 | 21 | 26 | 31 | 38 | 48 | 55 | 68 |
| Kgs | 0.11 | 0.13 | 0.27 | 0.37 | 0.62 | 0.93 | 1.35 | 2.14 |

| N. | Part Name | Materials |
|-----|----------------|--------------------------|
| 1 | Body | Brass/Nickel Plated |
| 2 | Body End | Brass/Nickel Plated |
| 3 | Seat | PTFE |
| 4 | Ball | Brass/Chrome Plated |
| 5 | Stem | Brass |
| 6 | 'O' Rings | FP |
| 7 | Stem Seat | PTFE |
| 8 | Packing Nut | Brass |
| 9 | Lever | Steel/PVC-Plastic Coated |
| 9/1 | Lockable Lever | Steel/PVC-Plastic Coated |
| 10 | Nut | Steel/Zinc Plated |

Dimensions in mm

This data sheet is designed as a guide and should not be regarded as wholly accurate in every detail. We reserve the right to amend the specification of any product without notice.