

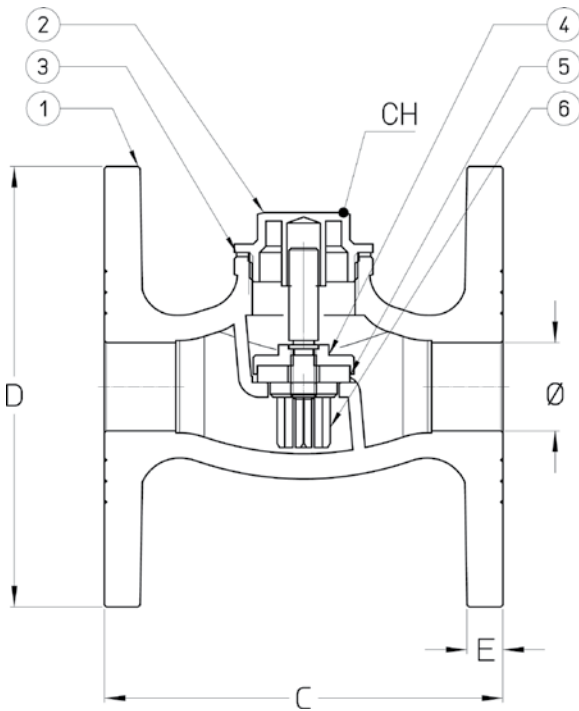
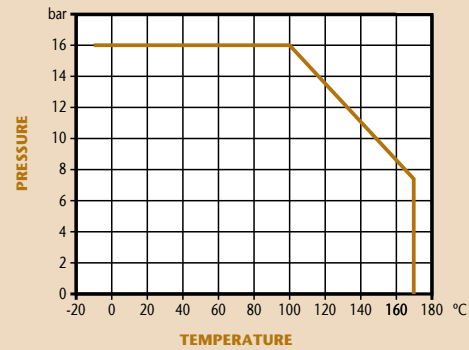
## PN16 Flanged Bronze Lift Check Valve

### Features

- Flanged PN16
- Bronze Body
- PN16 Rated
- PTFE Seal
- BS 5154 (BS EN12288)



### Pressure / Temperature



DN	1/2"	3/4"	1"	1 1/4"	1 1/2"	2"	2 1/2"	3"	4"
Ø	15	20	25	32	40	50	70	80	100
C	84	95	105	115	134	154	170	180	200
D (PN6)	70	85	100	110	120	140	185	200	230
D	95	105	120	140	150	165	185	200	230
E	8	8	9.5	9.5	11	11	12	13	17
CH	19	22	28	37	40	48	65	75	85
Kgs	1.12	1.65	2.33	3.45	4.43	5.75	8.05	10.27	16.14

### Technical Data

Max Pressure	16 Bar
Working Temperature	-10°C to +170°C

N.	Part Name	Materials
1	Body	Bronze
2	Bonnet	Brass
3	Body Packing	NA 1100
4	Disc Holder	Brass
5	Disc	PTFE
6	Guide	Brass

Dimensions in mm

This data sheet is designed as a guide and should not be regarded as wholly accurate in every detail. We reserve the right to amend the specification of any product without notice.